

Technical Sheet For EIB/KNX Mounting IR Emitter

BTIS-01/00.1

The worldwide standard for home and building control

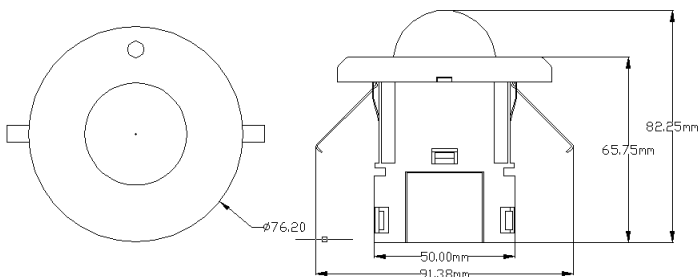
CHARACTERISTICS

- Storing up to 64 different IR functional control codes for per channel
- A channel can link up to 16 group addresses
- The IR functional control codes can be assigned to 1bit or 1byte type of object
- The transmitting angle is full of direction
- Sending time and sending delay can be set for per control codes
- Each main function can include 5 slave functions

PARAMETERS

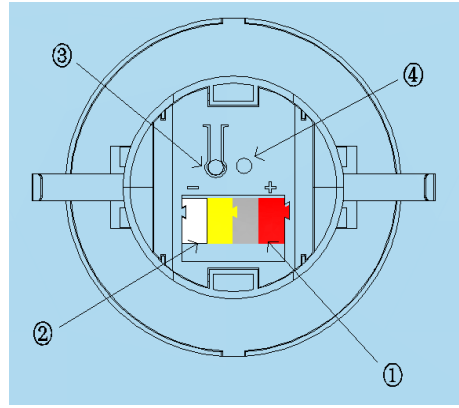
Power supply	Bus voltage	21-30V DC, via the EIB
	Current consumption	Max. 12mA
	Power consumption	Max. 360mW
Auxiliary Power	Work voltage	12-30V DC
	Auxiliary current	<200mA
Output	Auxiliary power consumption	<6W
	Infrared wave	940nm
	Distance	radius: 4m~5m
Installation	Mounting	Height Max.4m
Connections	EIB/KNX	Via bus connecting terminal
Operation and display	Red LED and push button	For assigning the physical address
	Green LED flashing	For displaying application layer running normally
Temperature	Operation	-5 °C ... + 45 °C
	Storage	-25 °C ... + 55 °C
	Transport	- 25 °C ... + 70 °C
Environmental	humidity	<93%, except condensation

DIMENSIONS

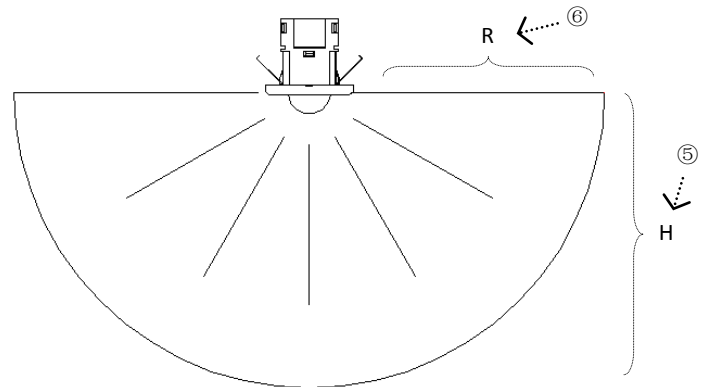


Model	Dimension	Weight
BTIS-01/00.1	91×76×82mm	0.06kg

CONNECTION DIAGRAM



INSTALLATIONS



- ① KNX / EIB bus connection terminal
- ② Auxiliary power supply connection terminal
- ③ Programming push button
- ④ Programming LED, red LED light up for assignment of physical address, Green LED flashes for indicator of the device running normally
- ⑤ Installation height : Max.4m
- ⑥ Transmit radius: 4m~5m

INSTALLATION FIGURE

The extremely compact design enables the device to be Mounted in the ceiling .Make sure that the device operation, testing, detecting, maintenance correctly.

When install, please note the IR detector of the Transmitter must be installed in areas that the IR device can detect normally, to avoid no action.

In order to operate IR Configuration Tool, make sure that your PC has installed FalconRuntime, ETS3 or ETS4 software.

IMPORTANT INFORMATION

Installation and commissioning of the device may only be carried out by trained electricians. The relevant standards, directives, regulations and instructions must be observed when planning and implementing the electrical installation.

• Protect the device against moisture, dirt and damage during transport, storage and operation!

• Do not operate the device outside the specified technical data (e.g. temperature range)!

Should the device become soiled, it may be cleaned with a dry cloth. If this does not suffice, a cloth lightly moistened with soap solution may be used. On no account should caustic agents or solvents be used.